



Wall absorber AMF Line Modern

AMF Line Modern is a wall absorber is a mineral fibre tile in an elegant aluminium frame. The wall panel is delivered in one piece and can be easily installed using the installation key included in the delivery. The fleece-covered surface of AMF Line Modern is white by default, though it can be customised by choosing any colour or pattern. Due to the acoustic filling the mineral tile offers exceptional sound absorption performance.

Advantages

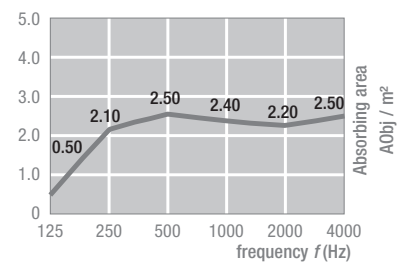
- ready for assembly
- easily customised
- high sound absorption
- modern elegant design



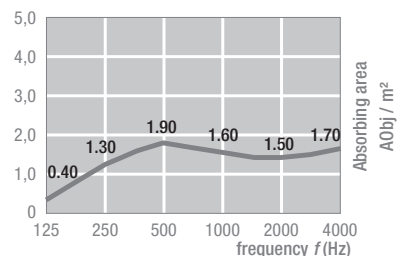
TECHNICAL PERFORMANCE

- | | |
|-------------------------|---|
| Building material class | ■ A2-s1, d0 as per EN 13501-1 |
| Sound absorption | ■ As per EN ISO 354 |
| Humidity | ■ Up to 95% RH |
| Surface | ■ Fleece covering white RAL 9010 or with print |
| Frame sizes | ■ 600x1200, 1200x1200, 1200x1800, 1200x2400 mm, more sizes upon request |
| Frame thickness | ■ 43 mm |
| Weight | ■ 600x1200 mm: c. 5.0 kg/pc.
1200x1200 mm: c. 9.0 kg/pc.
1200x1800 mm: c. 16.0 kg/pc.
1200x2400 mm: c. 25.0 kg/pc. |
| Frame colour | ■ Aluminium natural anodised E6-EV1 |

AMF Line Modern
1200x1800 mm



AMF Line Modern
1200x1200 mm



Knauf AMF GmbH & Co. KG

Elsenthal 15

D-94481 Grafenau, Germany

Phone +49 (0) 8552 / 422-0 - Fax +49 (0) 8552 / 422-32

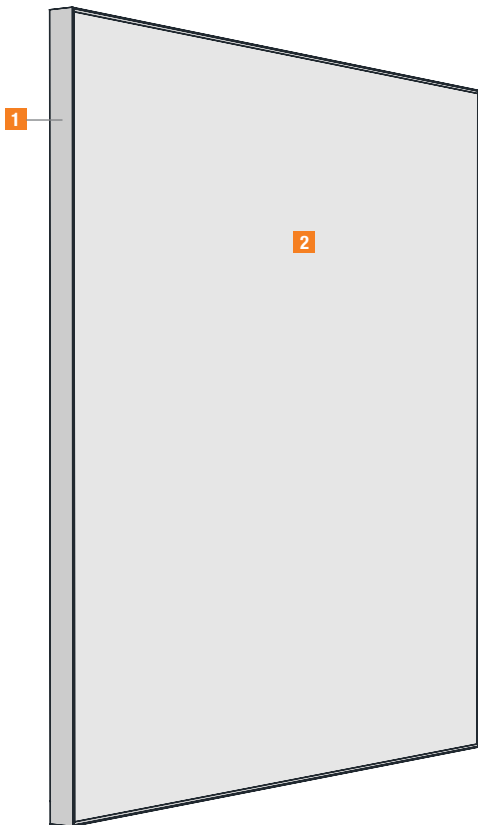
info@knaufamf.de - www.amfceilings.com

Due to reproduction processes colours shown in this catalogue may differ from the actual product colour. Product selection should always be made from AMF samples. All details and technical information stated in this brochure or other publicity material referring to AMF ceiling systems are based on test reports obtained under laboratory conditions. It is the responsibility of the customer to ensure that this data is suitable for the proposed application.

All information provided is based on current technical data. Further relevant test reports, assessments and installation guidelines are available. All system details conform with current standards and are based on the use of AMF products and system components. AMF accepts no liability or responsibility for use of third party components, or for any variations to conditions stipulated in test data. Mixing of production batches is not recommended.

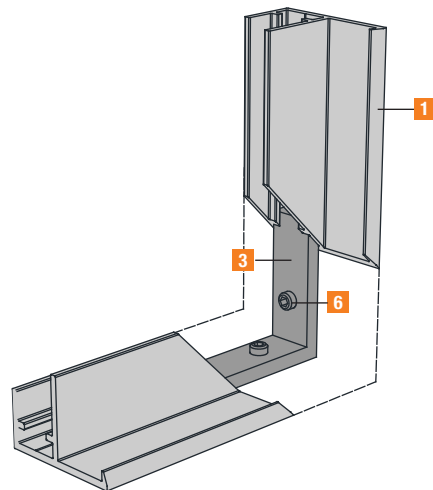
All technical data is subject to change without prior notice and is governed by AMF Terms and Conditions of Sales. This catalogue supersedes all previous editions. Errors and omissions excepted. Printing errors excepted.

Wall absorber AMF Line Modern



- 1 Aluminium grid
- 2 THERMATEX tile
- 3 Connecting wall angle
- 4 Acoustic filling
- 5 Aluminium eccentric
- 6 Headless screw M6 x 8
- 7 Wall fixing bolt

Corner connection



Wall fastening

